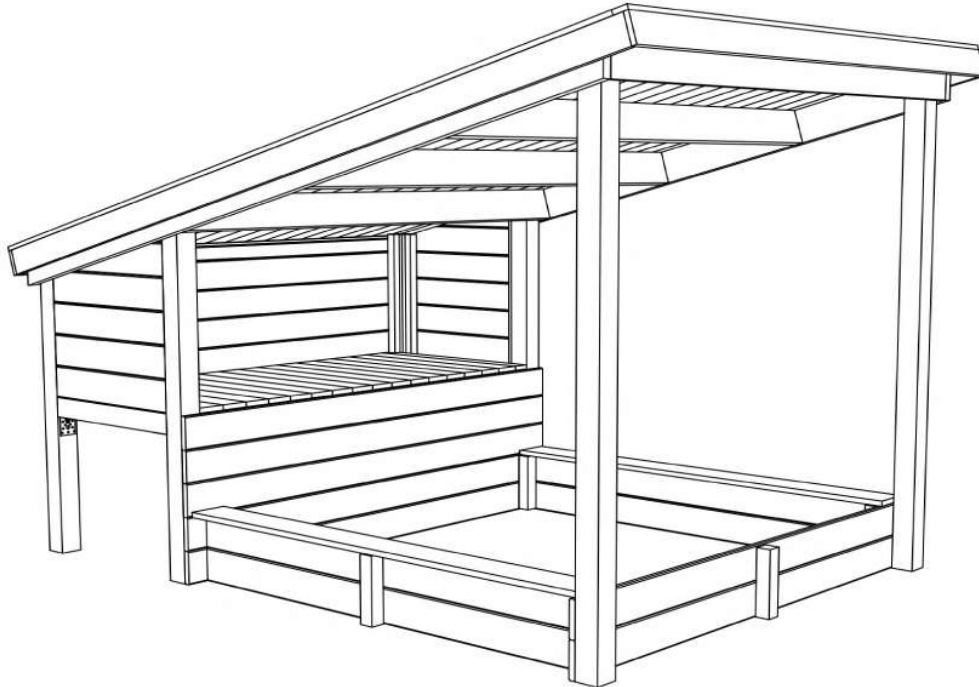


Art.nr 9909100



**Assembly manual - Montageanleitungen - Instructions de montage - Istruzioni di montaggio -  
Montage instructies - Instrucciones de montaje - Monteringsanvisning - Monteringsvejledning -  
Monteringsanvisningar - Kokoamisohjeet - Püstitusjuhend - Instrukcje składowania - Szerelési útmutató**

The product complies with standard EN 71 & Directive 2009/48/EC.

Der Artikel erfüllt die Normen EN 71 & Richtlinie 2009/48/EG.

Le produit répond aux normes suivantes EN 71 & Directive 2009/48/CE.

Il prodotto rispetta le norme comunitarie EN 71 e Direttiva 2009/48/CE.

Dit product voldoet aan standaard EN 71 en richtlijn 2009/48/EC.

Este producto cumple con la norma EN 71 y la Directiva 2009/48/CE.

Lekestativet er produsert etter følgendestandard og direktiv: EN 71; 2009/48/EU.

Produktet overholder standarden EN 71 og direktiv 2009/48/EF.

Produkten uppfyller standard EN 71 och direktiv 2009/48/EG.

Tuote on sertifioitu standardin EN 71 & Direktiivi 2009/48/EY mukaan.

Toode vastab standardile EN 71 ja Direktiivile 2009/48/EÜ.

Produkt zgodny z normą bezpieczeństwa EN 71 i wymogami dyrektywy 2009/48/WE.

A termék megfelel az EN 71 szabvány és a 2009/48/EK irányelv követelményeinek.



Produced by: Lasita Maja OÜ - [www.lasita.com](http://www.lasita.com)

Risu tee 2, Pihva, Tartu linn, 61407, Tartumaa, Estonia

## ENGLISH

### WARNINGS:

Not suitable for children under three years of age.  
Suitable for children aged 3-14 (max 50 kg/user).  
Use only under direct adult supervision – risk of falling and injury.  
Meant for outdoor domestic use only!  
Keep away from fire!

### ATTENTION:

The product requires assembly. Assembly must be done by an adult!  
Climbing the fences and roof of the assembled house is prohibited!  
Caution! Wooden parts may have splinters, sharp edges and ends.

### Dear client,

Thank you for choosing our environmentally friendly playhouse!

**Before starting the installation, check for all the parts and their quality.** The list of parts can be found in the product blueprint. Upon discovering a defective or missing part, the corresponding defect must be immediately photographed (before starting the assembly) and the information must be forwarded to the Seller of the garden house.

Before assembling the garden house, please read this assembly manual thoroughly, as well as the general assembly instructions and warranty conditions, in order to prevent possible problems and extra time spent during installation.

Please keep the assembly and installation instructions for future reference.

### Tips:

The playhouse must be installed on a level surface at least 2 m away from any other structure or obstruction such as a garden, garage, house, overhead branches, clotheslines or electrical wires.

When choosing the location of the playhouse, make sure that the house is not in the way of extreme weather conditions (areas with strong wind or snowfall). To ensure safety, the house must be fixed to the surface even if the necessary means for fixing are not included in the playhouse kit (e.g. anchors).

It is recommended to put a base cover at the bottom of the sandbox so that the grass does not grow through the sand. The base cover is not included.

Making changes to the product (e.g. adding additional equipment) can only be done according to the manufacturer's instructions.

### Maintenance:

The playhouse is delivered unfinished!

To reduce the risk of fire, use paints or an impregnating agent that does not promote the spread of fire. Use water-based paints or impregnation agents! Avoid solvent-based products! You must not cover the product with varnishes or paints that have a laminar flame speed higher than 20 mm/s.

The foundations of the house are in direct and continuous contact with the ground. They must be impregnated with a special wood preservative!

Consult a professional regarding wood preservatives and paints for untreated softwood and follow the manufacturer's instructions!

The house kit does not include roofing material. Before using the playhouse, obtain a suitable roofing material and install it according to the manufacturer's instructions.

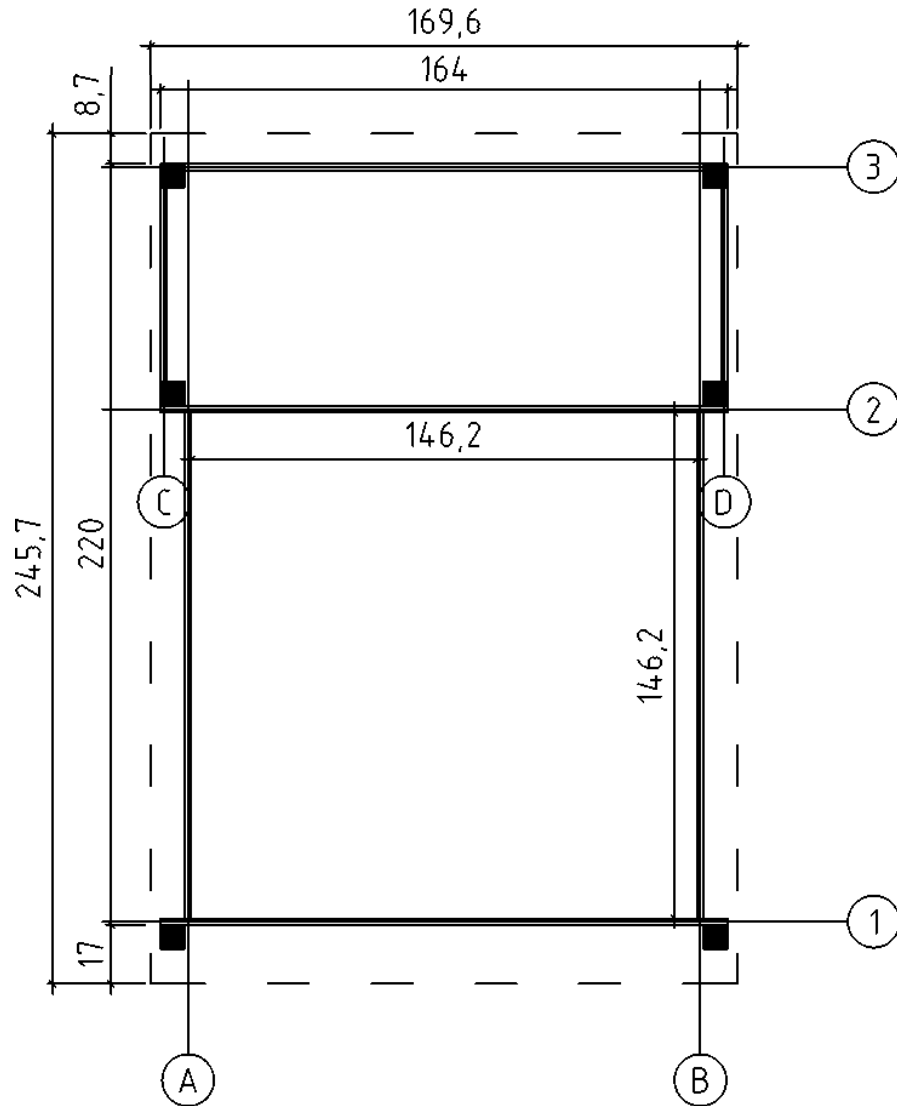
The constructions and fastenings of the children's playhouse, swing and slide must be checked regularly and maintained if necessary.

If these actions are not taken, the product may fall over or become dangerous:

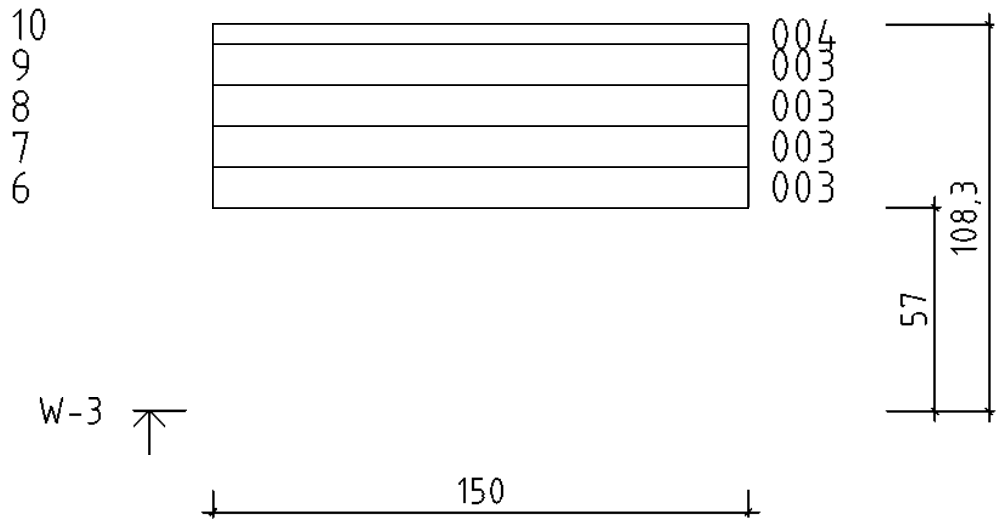
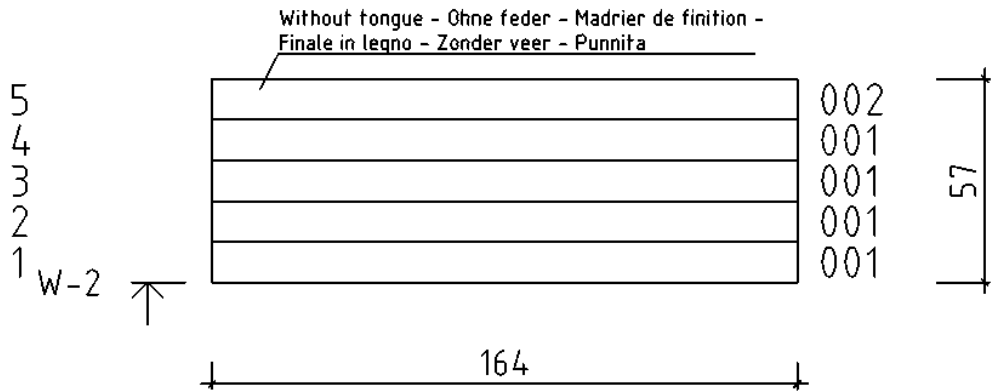
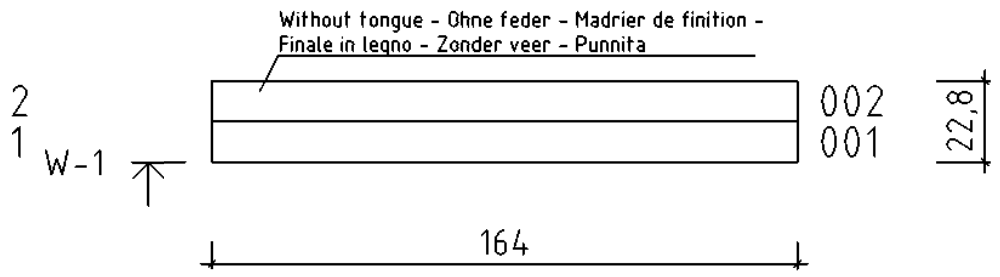
- Check the fastening of all nuts and bolts and tighten them if necessary;
- Oil moving metal parts;
- Check the covers of all bolts and sharp edges and replace them if necessary;
- Check swing seats, chains, ropes and other fastening devices for possible wear;
- Replace defective parts according to the manufacturer's instructions.

Art. Nr. 9909100

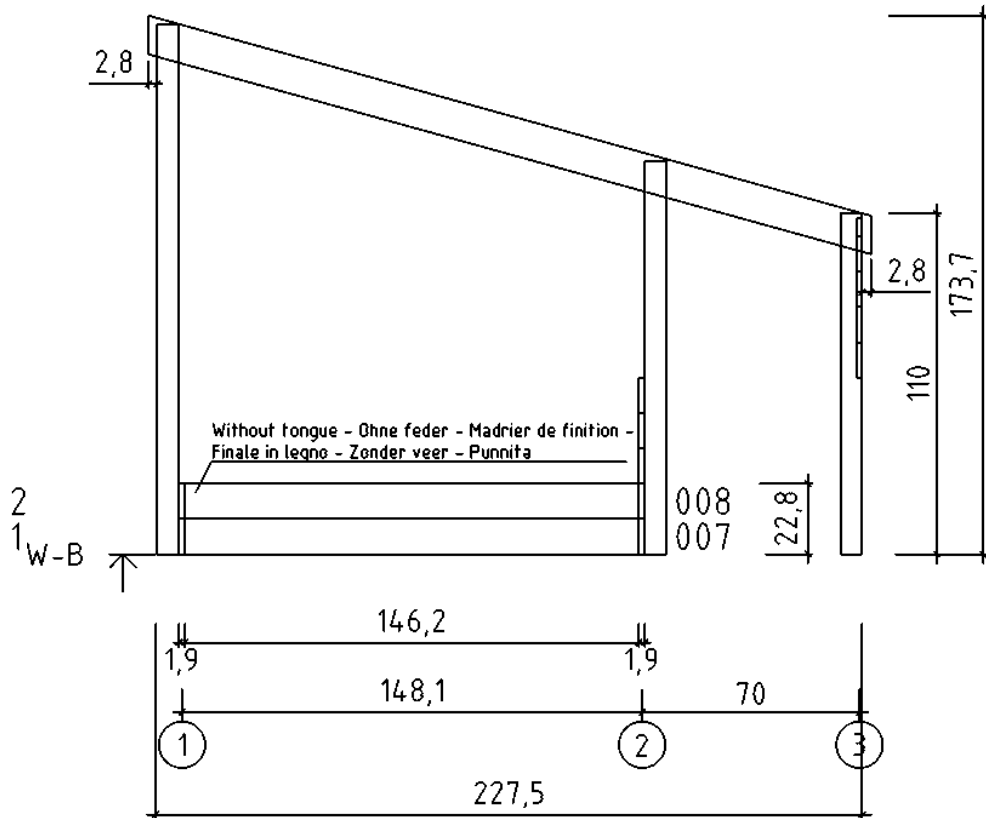
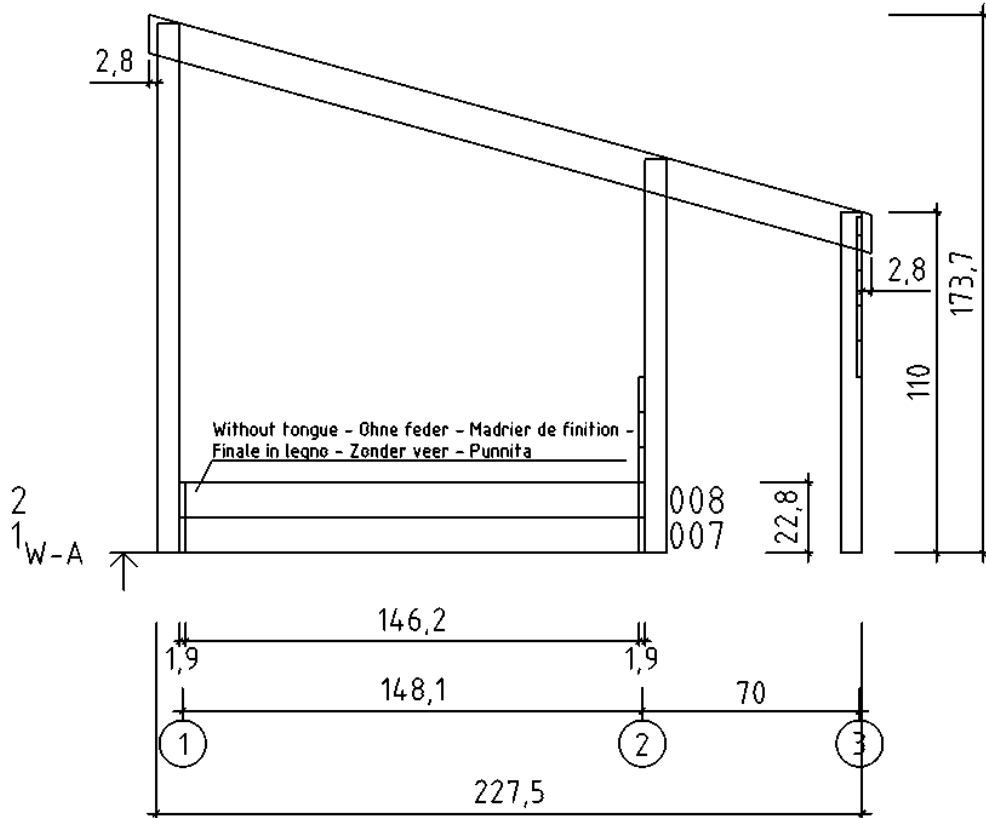
Groundplan - Grundplan - Plan de masse -  
Planimetria - Plattegrond - Põhiplaan



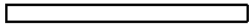
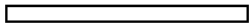
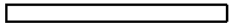
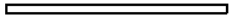
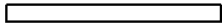
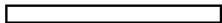
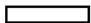
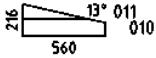
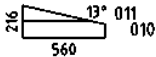

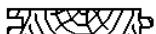
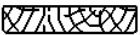





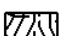
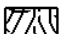
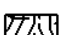
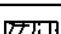
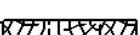
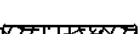
Art. Nr. 9909100



Art. Nr. 9909100

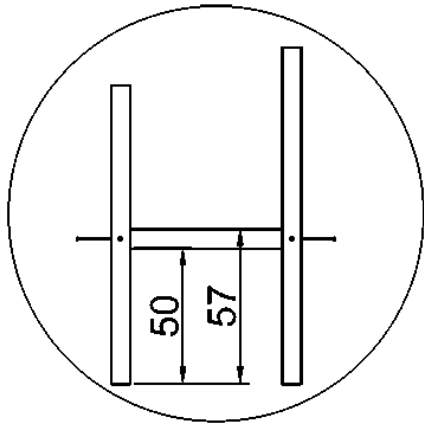









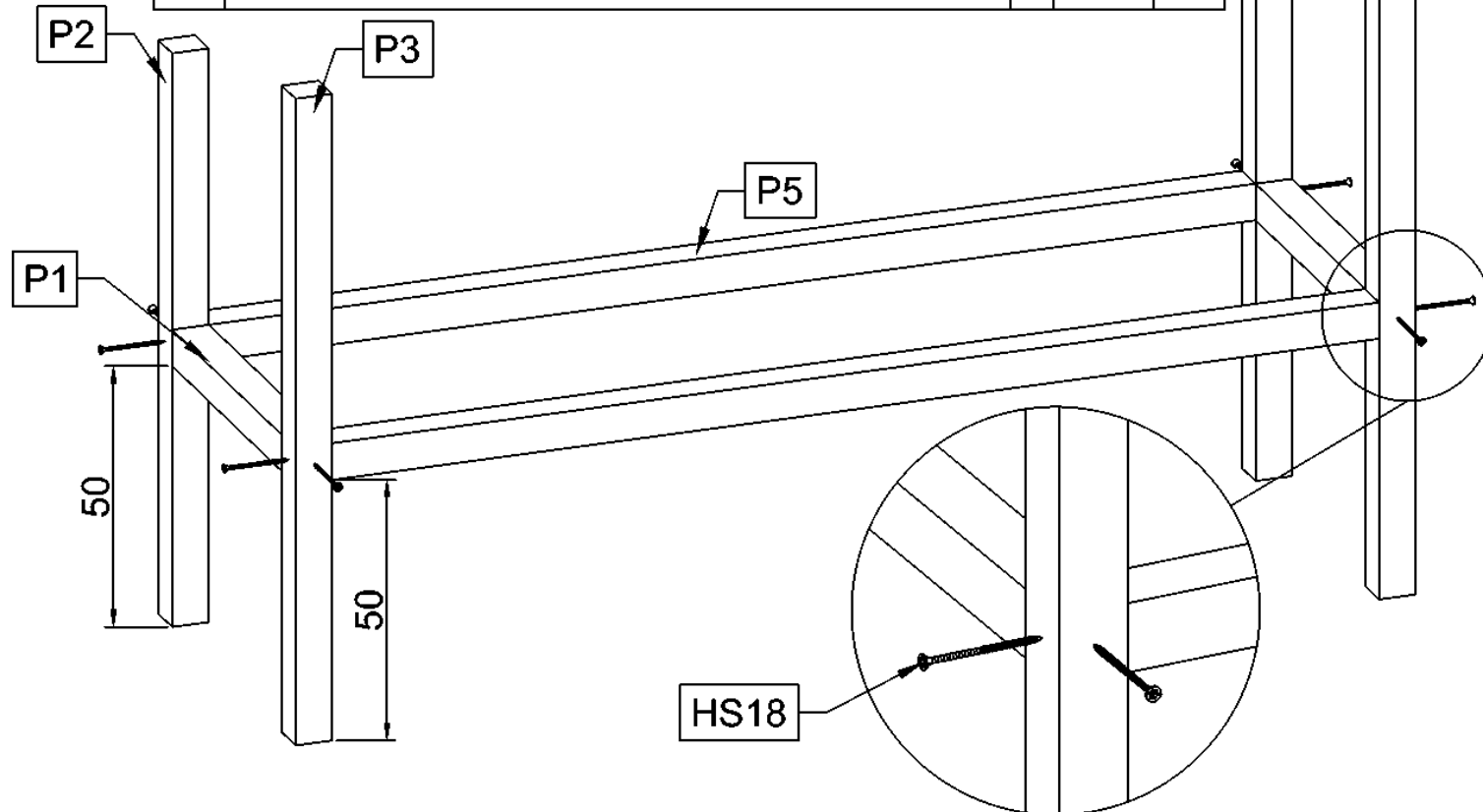
Pos	17.10.2023 Piece list - Stückliste - Liste des pièces - Elementi - Stuklijst - Tükítabel Art. Nr. 9909100	5/17	Q	P (mm)	L (mm)
001 45379			5	19x114	1640
002 45380			2	19x114	1640
003 23095			4	19x114	1500
004 45381			1	19x57	1500
007 45383			2	19x114	1462
008 45384			2	19x114	1462
009 45271			8	19x114	560
WC-1 45272			1		
WD-1 45272			1		
FB1 45273	Floor boards - Fussbodenbretter - Lame de plancher - Pavimento - Vloerhout - Pörandalaud 		17	90x18	700
RB 35381	Roof boards - Dachbretter - Voliges - Perlina per tetto - Dakhout - Katuselaud 		19	90x18	2550
CF1 29508	Railing strip - Begrenzungsleiste - Rembarde - Sbarra - Afscheidingslijst - Püirdelaud 		2	18x120	1481
RFF1 45386	Roofing felt fillet - Dachpappenleiste - Baguette de fixation du feutre bitumeux - Asse per fissaggio guaina bituminosa - Afdeklijst asfaltpapier - Katusepapiliist 		1	15x45	1726
RFF2 45387	Roofing felt fillet - Dachpappenleiste - Baguette de fixation du feutre bitumeux - Asse per fissaggio guaina bituminosa - Afdeklijst asfaltpapier - Katusepapiliist 		2	15x45	2535
FF1 45277	Fixing fillet - Fixierungsleiste - Profil de fixation - Massello di fissaggio - Bevestiging lijstwerk - Tenderlijst 		6	28x34	650
EP1 43324	Post - Pfosten - Poteau - Piede registrabile - Stijl - Post 		8	44x44	220
P1 45280	Post - Pfosten - Poteau - Piede registrabile - Stijl - Post 		2	70x70	560
P2 45281	Post - Pfosten - Poteau - Piede registrabile - Stijl - Post 		2	70x70	1100
P3 45388	Post - Pfosten - Poteau - Piede registrabile - Stijl - Post 		2	70x70	1270
P5 45389	Post - Pfosten - Poteau - Piede registrabile - Stijl - Post 		2	70x70	1500
P4 45283	Post - Pfosten - Poteau - Piede registrabile - Stijl - Post 		2	70x70	1710
TB1 45390	Fascia board - Traufbrett - Bandeau de toit - Finitura lati tetto - Gevellijst Räästalaud 		2	15x90	1726
TB2 33948	Fascia board - Traufbrett - Bandeau de toit - Finitura lati tetto - Gevellijst Räästalaud 		2	15x90	2550



Art. Nr. 9909100





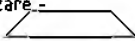

P1	Post - Pfosten - Poteau - Piede registrabile - Stijl - Post		2	70x70	560
P2	Post - Pfosten - Poteau - Piede registrabile - Stijl - Post		2	70x70	1100
P3	Post - Pfosten - Poteau - Piede registrabile - Stijl - Post		2	70x70	1270
P5	Post - Pfosten - Poteau - Piede registrabile - Stijl - Post		2	70x70	1500
HS18	Screw for post - Schrauben für pfosten - Vis de fixation des poteaux - Viti per inviare - Schroef voor stijlen - Kruvi postile		8	5x120	

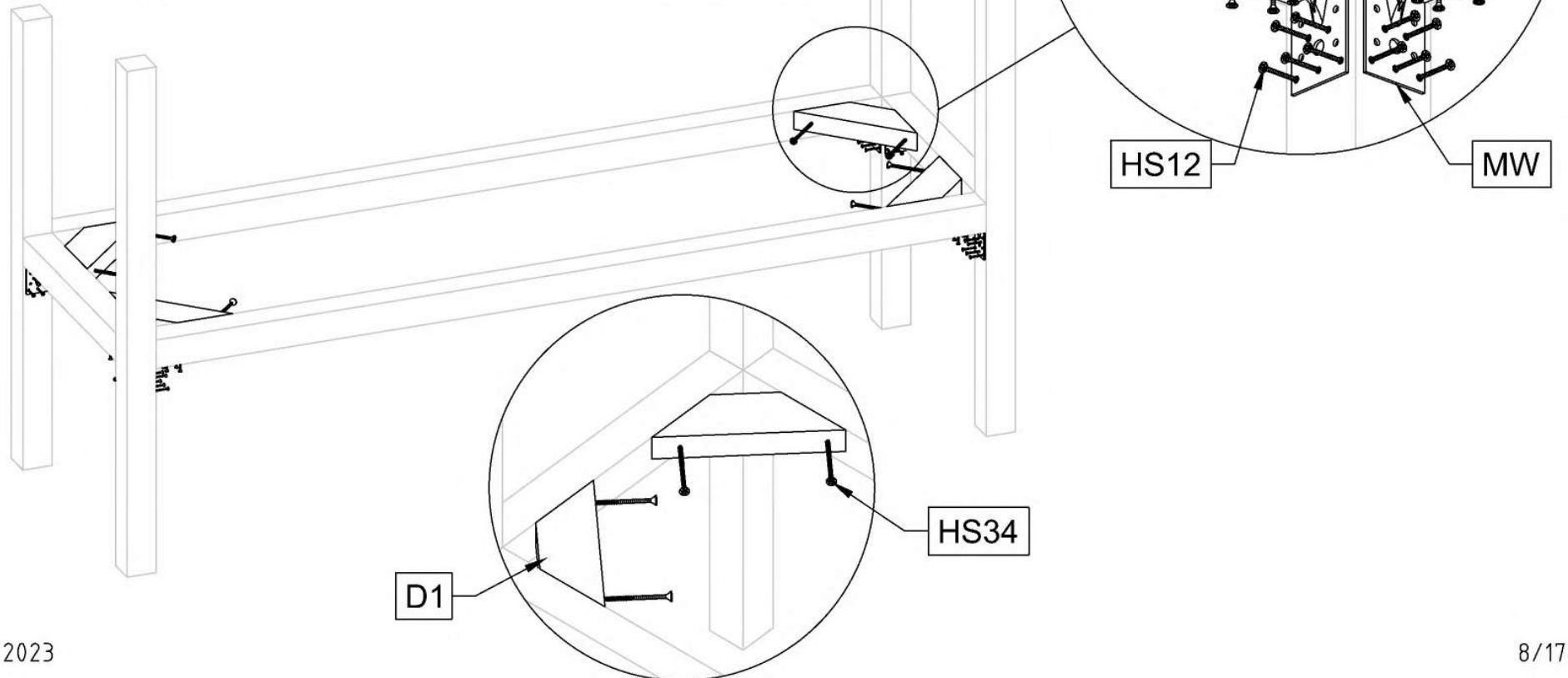


17.10.2023

7/17

Art. Nr. 9909100

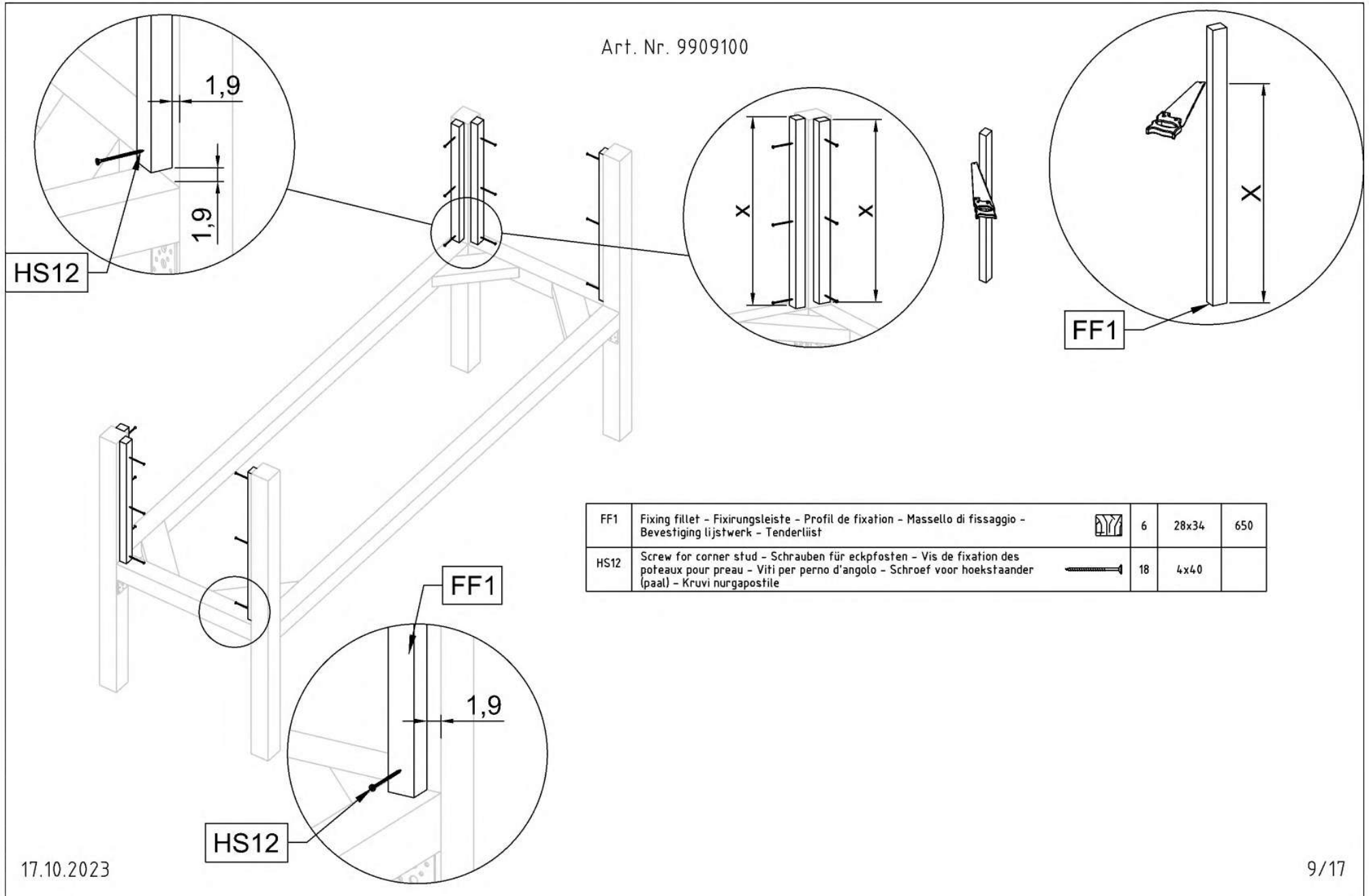
MW	Metal corner - Metallwinkel - Corniere en métal - Angolo di metallo - Metalen hoek - Nurgik		8		
HS12	Screw for metal corner - Holzschraube für metallwinkel - Vis de fixation des cornières en métal - Viti per fissare suadretta di metallo di giunzione - Schroef voor metalen hoek - Krivi nurgikule		80	4x40	
D1	Diagonal support batten - Hilfsleiste - Tasseau - Listelli per rinforzare - Timmerhout - Tugilaud		4	44x95	300
HS34	Screw for wall details - Schraube für wand details - Vis pour mur details - Viti per elementi della porta - Schroef voor wand details - Krivi seinadetailidele		8	5x80	





17.10.2023

8/17

Art. Nr. 9909100

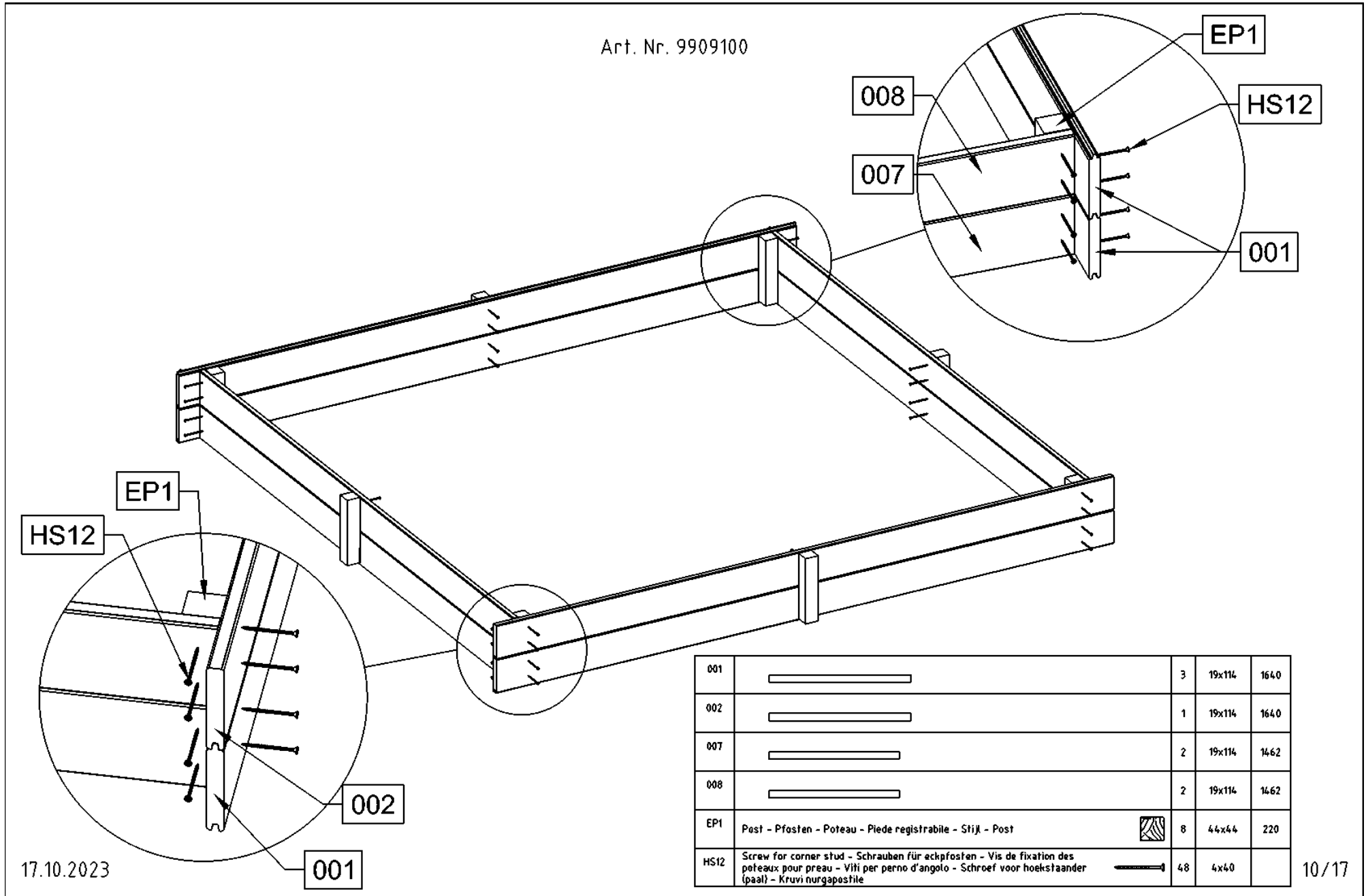


FF1	Fixing fillet - Fixirungsleiste - Profil de fixation - Massello di fissaggio - Bevestiging lijstwerk - Tenderlijst		6	28x34	650
HS12	Screw for corner stud - Schrauben für eckpfosten - Vis de fixation des poteaux pour preau - Viti per perno d'angolo - Schroef voor hoekstaander (paal) - Krugi nurgapostile		18	4x40	

17.10.2023

9/17

Art. Nr. 9909100



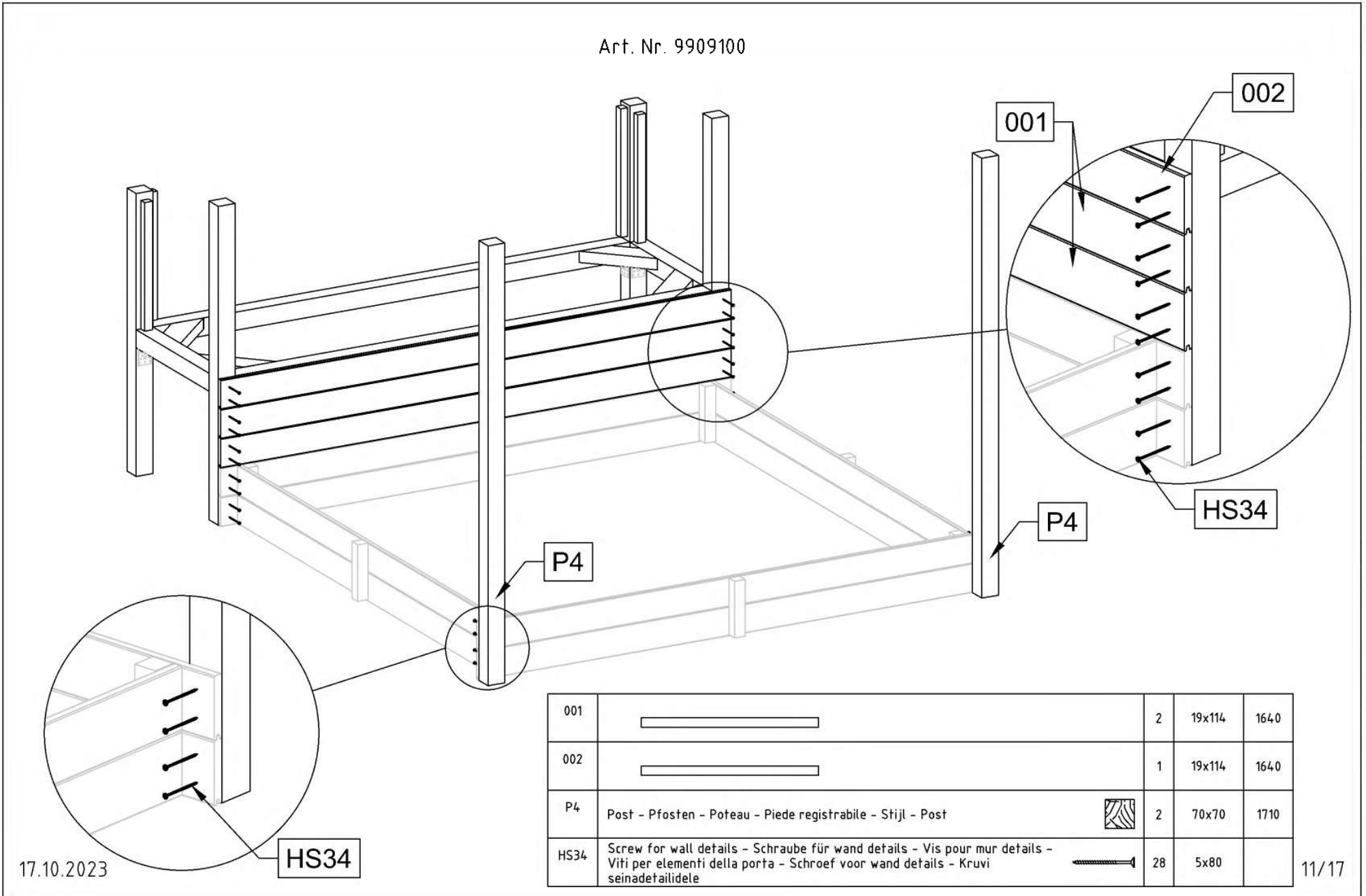
001		3	19x114	164.0
002		1	19x114	164.0
007		2	19x114	146.2
008		2	19x114	146.2
EP1	Post - Pfosten - Poteau - Piede registrabile - Stijl - Post	8	44x44	220
HS12	Screw for corner stud - Schrauben für eckpfosten - Vis de fixation des poteaux pour preau - Viti per perno d'angolo - Schroef voor hoekstaander (paal) - Krivi nurgapostile	48	4x40	

17.10.2023

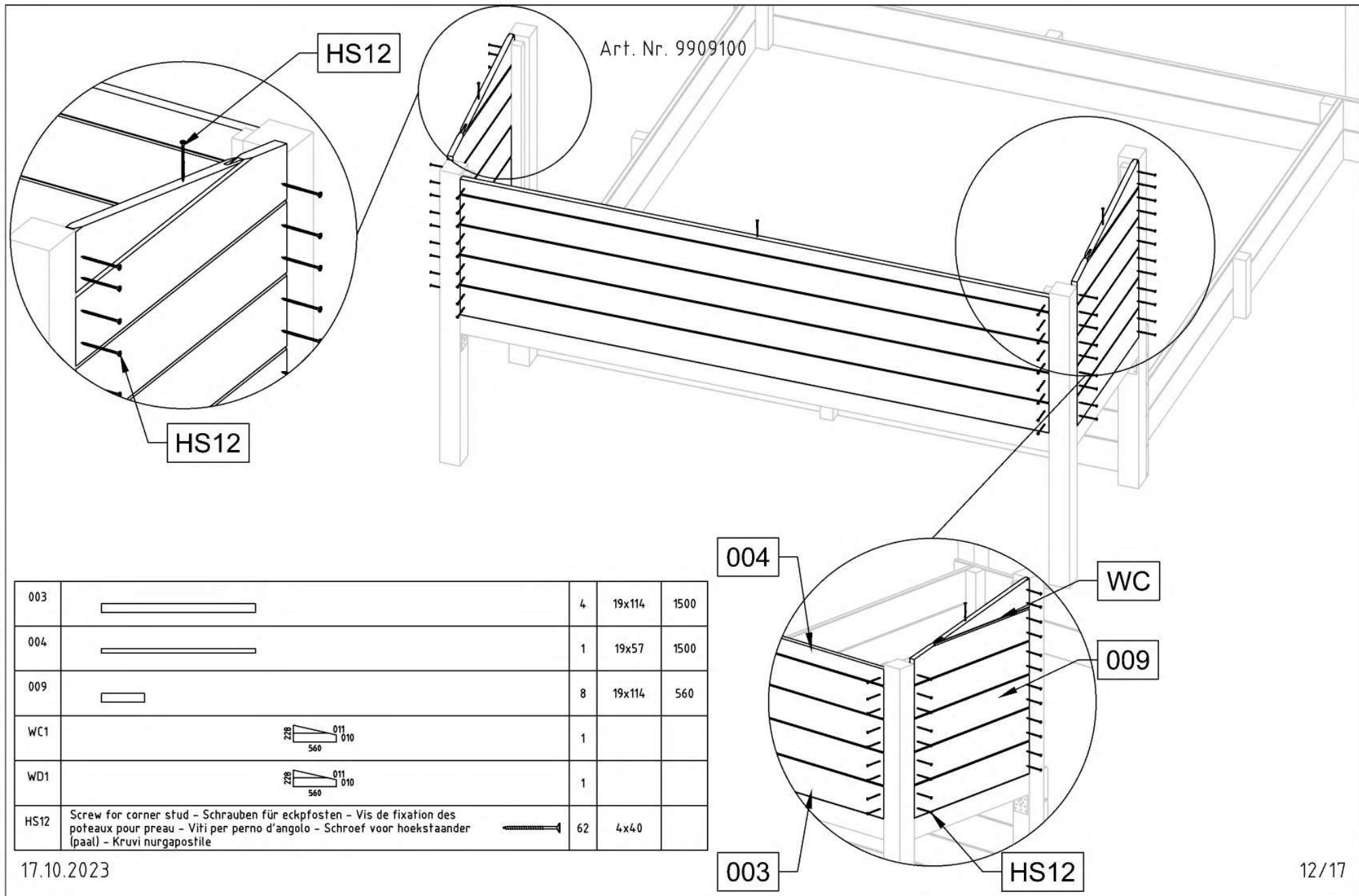
001

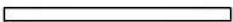


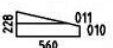
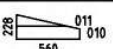

10 / 17

Art. Nr. 9909100



001		2	19x114	1640
002		1	19x114	1640
P4	Post - Pfoften - Poteau - Piede registrabile - Stijl - Post 	2	70x70	1710
HS34	Screw for wall details - Schraube für wand details - Vis pour mur details - Viti per elementi della porta - Schroef voor wand details - Krugi seinadetailidele 	28	5x80	





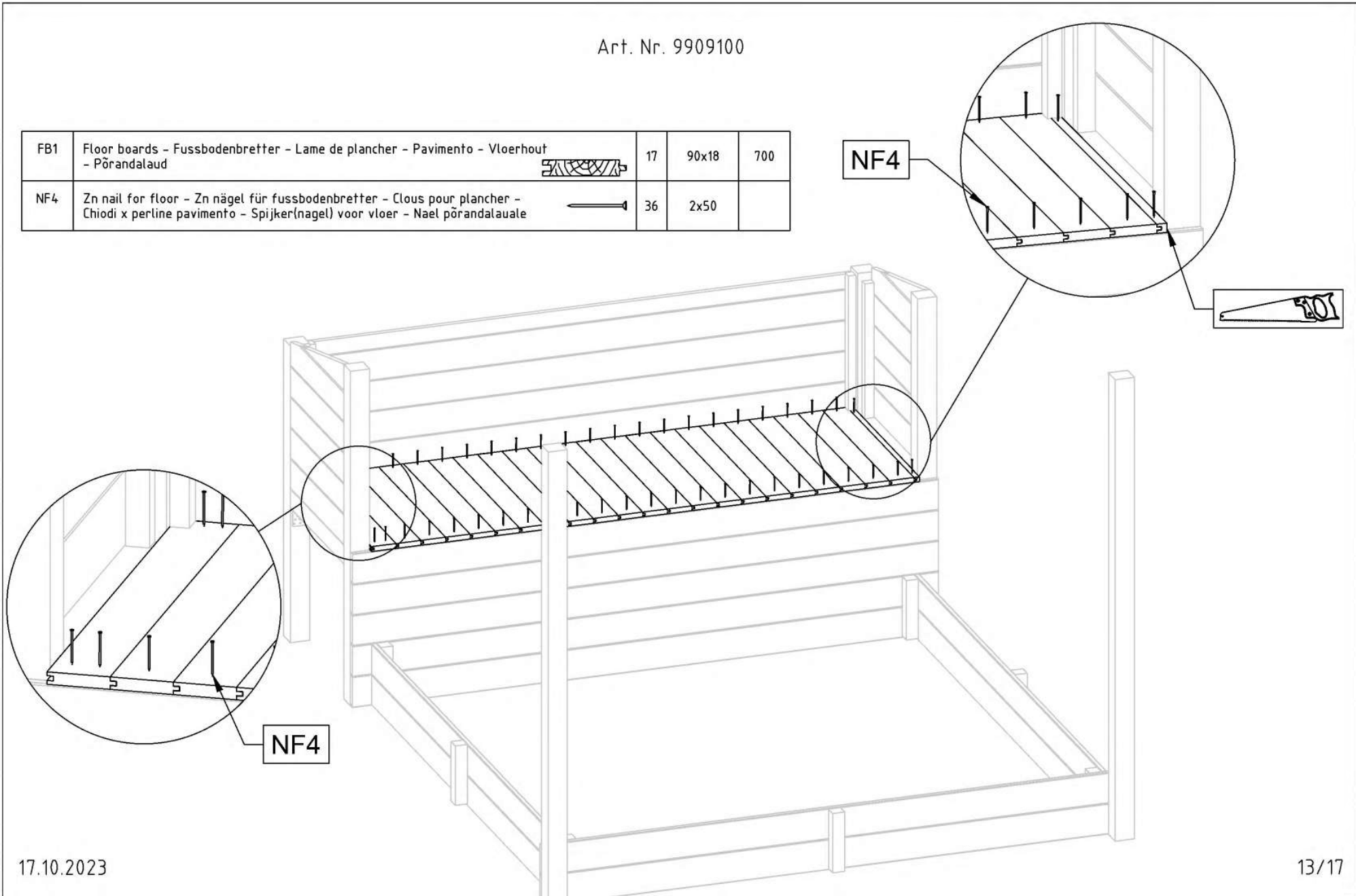
003		4	19x114	1500
004		1	19x57	1500
009		8	19x114	560
WC1		1		
WD1		1		
HS12		62	4x40	

17.10.2023

12/17

Art. Nr. 9909100

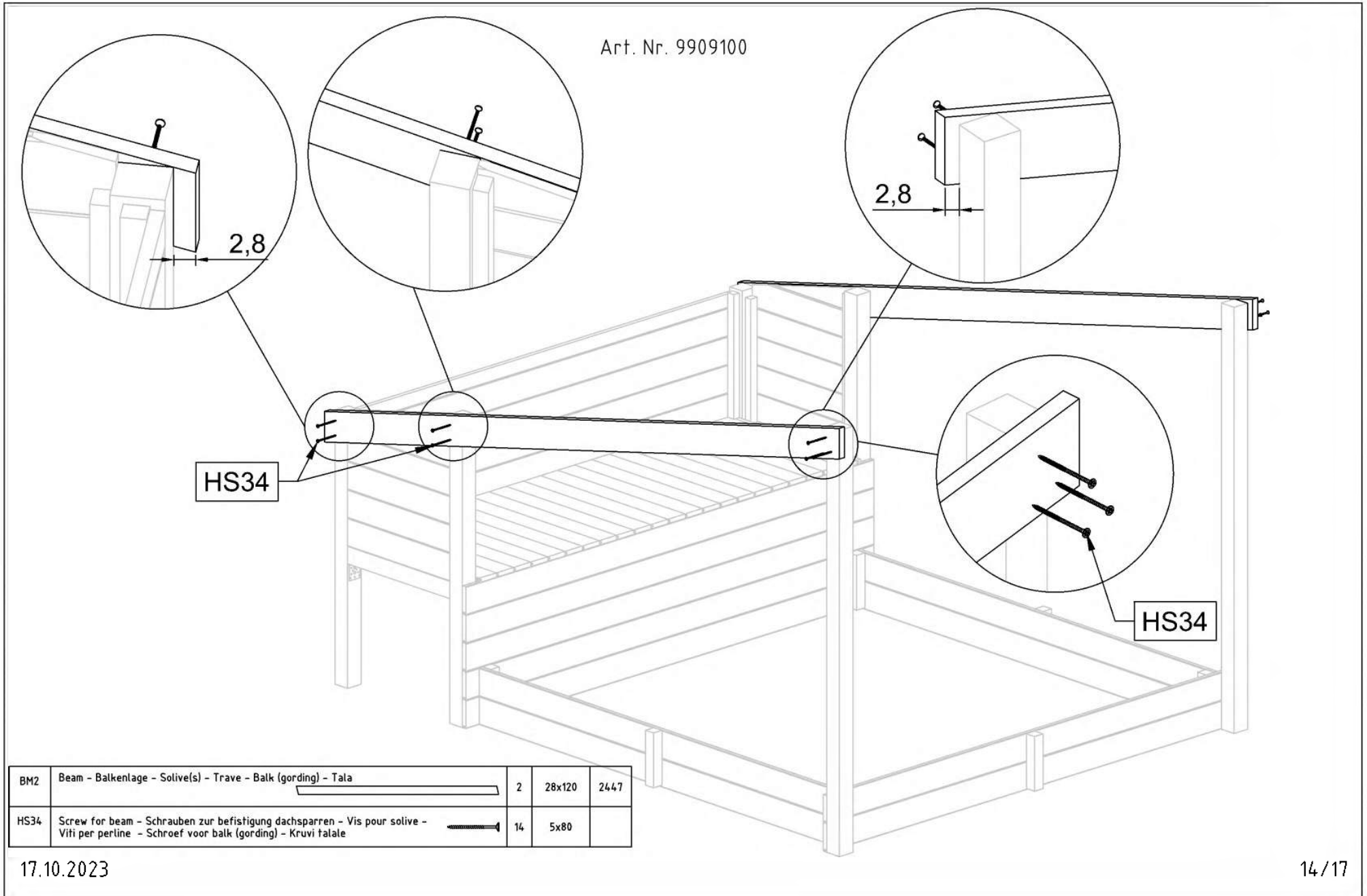
FB1	Floor boards - Fussbodenbretter - Lame de plancher - Pavimento - Vloerhout - Pörandalaud		17	90x18	700
NF4	Zn nail for floor - Zn nägel für fussbodenbretter - Clous pour plancher - Chiodi x perline pavimento - Spijker(nagel) voor vloer - Nael pörandalauale		36	2x50	




17.10.2023

13/17

Art. Nr. 9909100



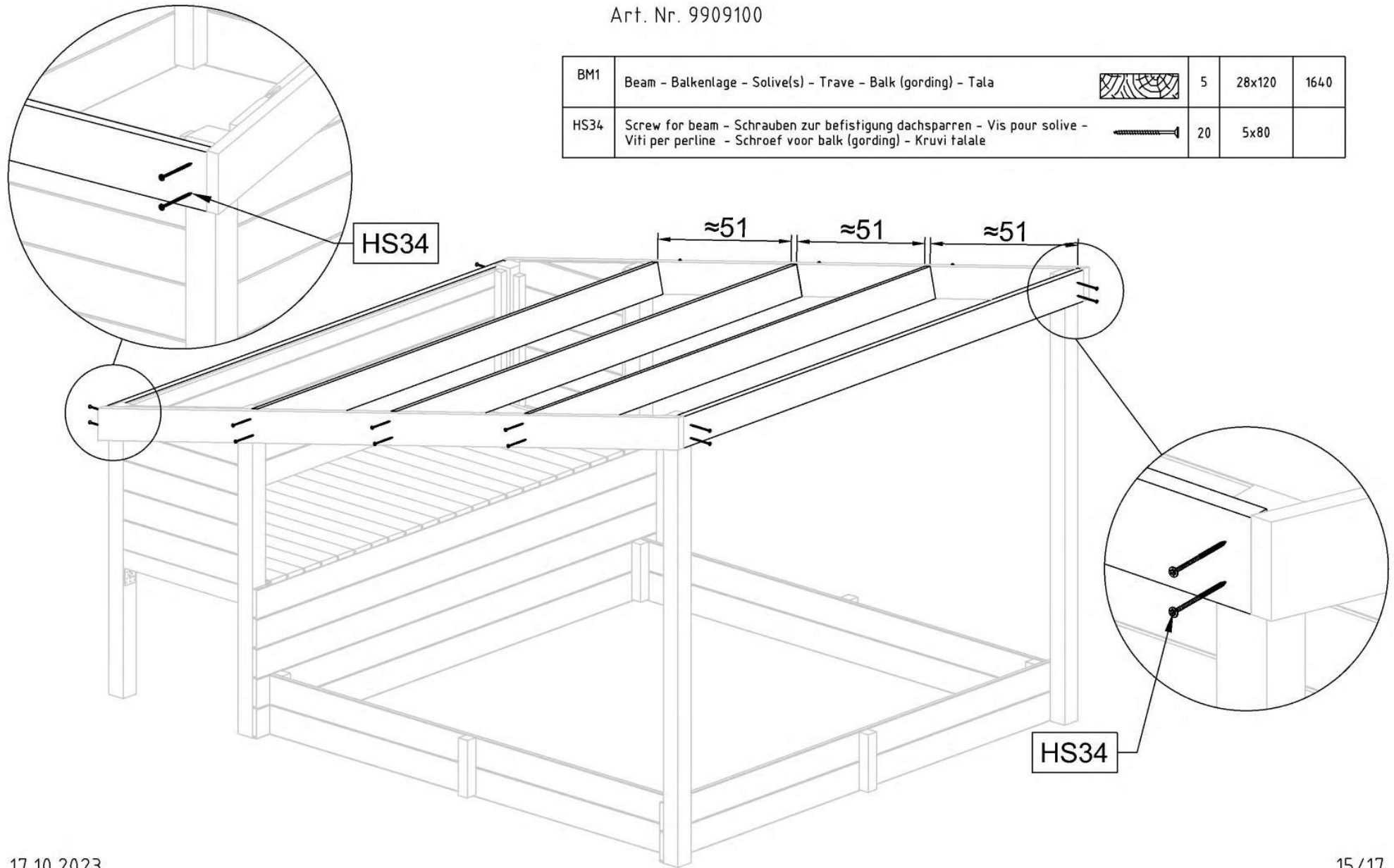
BM2	Beam - Balkentage - Solive(s) - Trave - Balk (gording) - Tala		2	28x120	2447
HS34	Screw for beam - Schrauben zur Befestigung dachsparren - Vis pour solive - Viti per pertine - Schroef voor balk (gording) - Kruvi talale		14	5x80	

17.10.2023

14/17

Art. Nr. 9909100

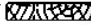
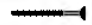


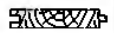

BM1	Beam - Balkenlage - Solive(s) - Trave - Balk (gording) - Tala		5	28x120	1640
HS34	Screw for beam - Schrauben zur Befestigung dachsparren - Vis pour solive - Viti per perline - Schroef voor balk (gording) - Krugi talale		20	5x80	

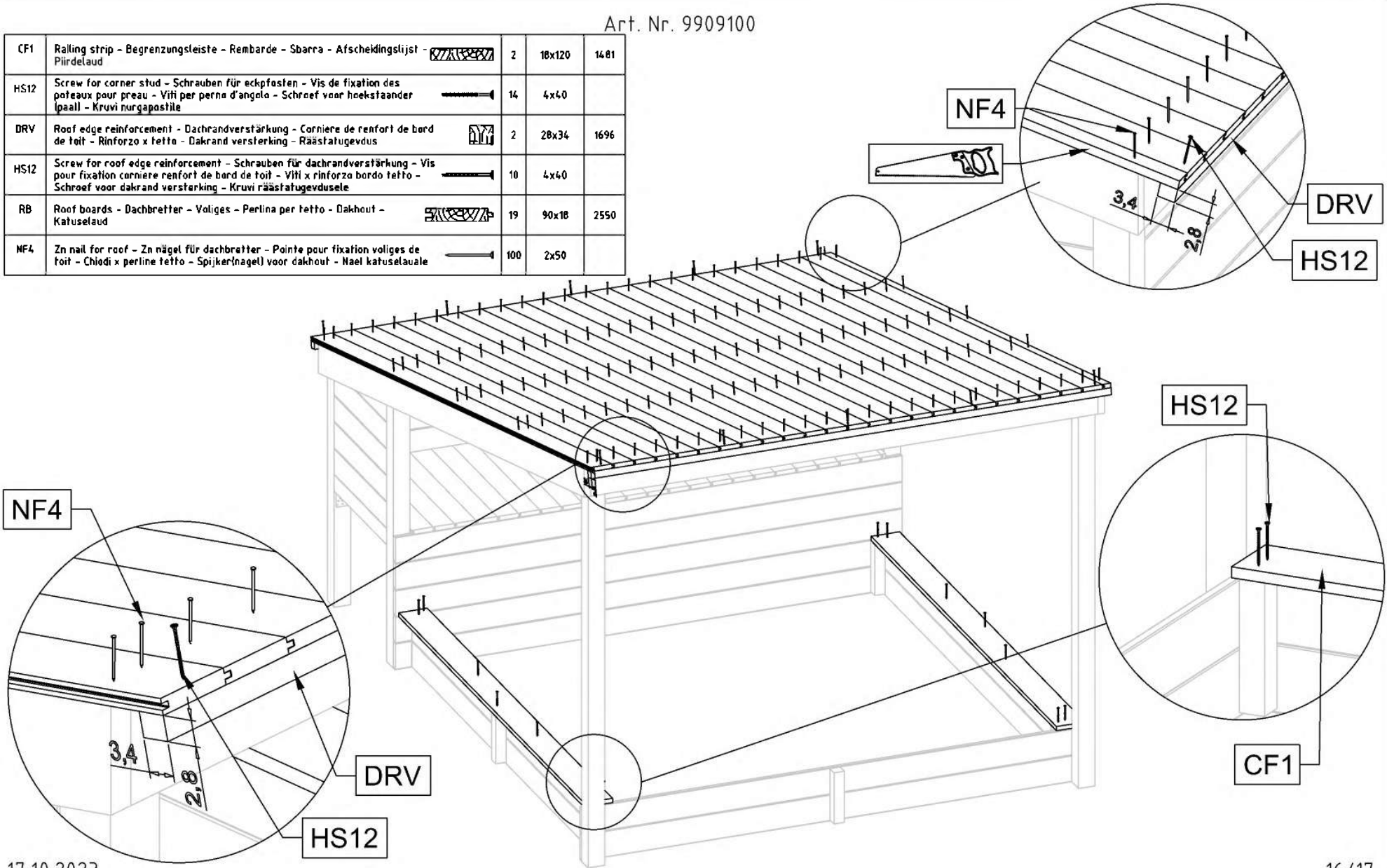


17.10.2023

15/17

Art. Nr. 9909100

CF1	Railing strip - Begrenzungsleiste - Rembarde - Sbarra - Afscheidingslijst - Piirdelaud		2	18x120	1481
HS12	Screw for corner stud - Schrauben für eckpfosten - Vis de fixation des poteaux pour preau - Viti per perna d'angolo - Schroef voor hoekstaander Ipaall - Kruvi nurgapostile		14	4x40	
DRV	Roof edge reinforcement - Dachrandverstärkung - Corniere de renfort de bord de toit - Rinforzo x tetto - Dakrand versterking - Räästatugevdus		2	28x34	1696
HS12	Screw for roof edge reinforcement - Schrauben für dachrandverstärkung - Vis pour fixation corniere renfort de bord de toit - Viti x rinforzo bordo tetto - Schroef voor dakrand versterking - Kruvi räästatugevdusele		10	4x40	
RB	Roof boards - Dachbretter - Valiges - Perlina per tetto - Dakhout - Katuselaud		19	90x18	2550
NF4	Zn nail for roof - Zn nagel für dachbretter - Pointe pour fixation voliges de toit - Chiodi x perline tetto - Spijker(nagel) voor dakhout - Nael katuselauale		100	2x50	



17.10.2023

16/17