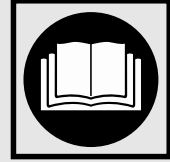


# GLORIA®

Geräte für Haus und Garten  
Industrie und Handwerk



**DE Drucksprüherät**  
Typ pro 8

**FR Pulvérisateurs**  
Type pro 8

**GB Pressure sprayer**  
Type pro 8

**NL Druksproeier**  
Type pro 8

**DE Betriebsanleitung . . . . . 6 - 13**  
Originalbetriebsanleitung

**GB Operating Instructions . 14 - 21**  
Translation of the German  
Operating Instructions

**FR Mode d'emploi . . . . . 22 - 28**  
Traduction des instructions d'emploi

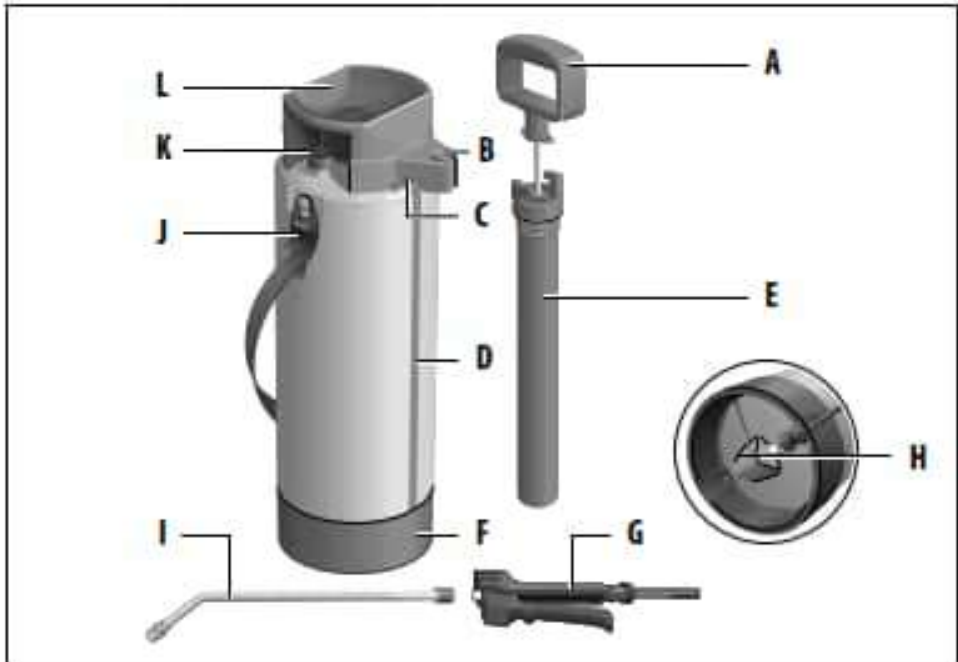
**NL Gebruiksaanwijzing . . . 29 - 36**  
Vertaling van de gebruiksaanwijzing





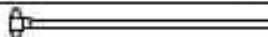
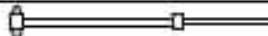
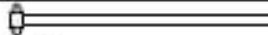


200617

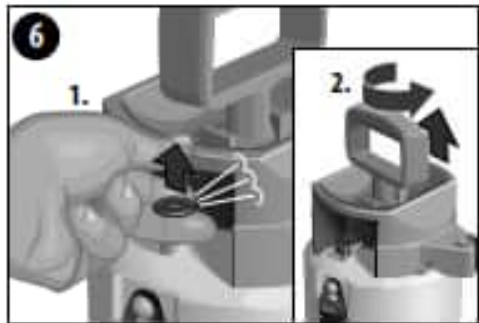
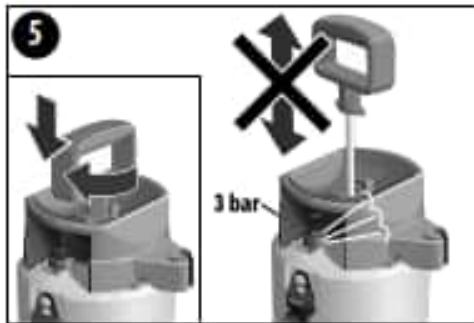
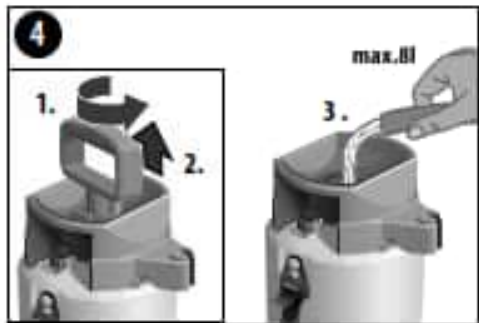
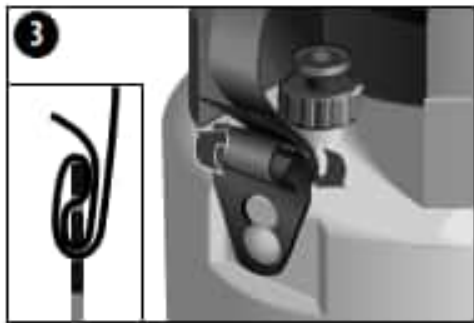
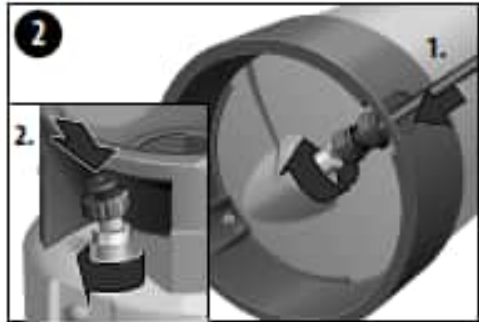
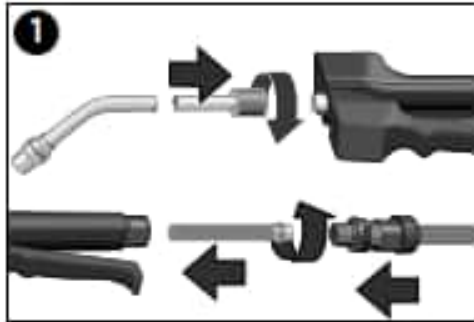
980 043 - 00

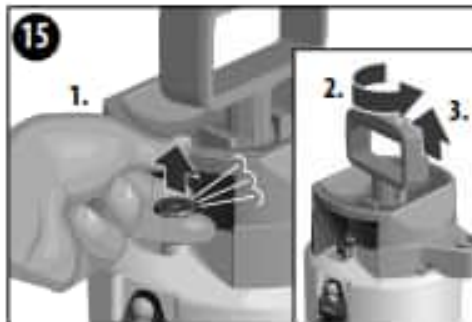
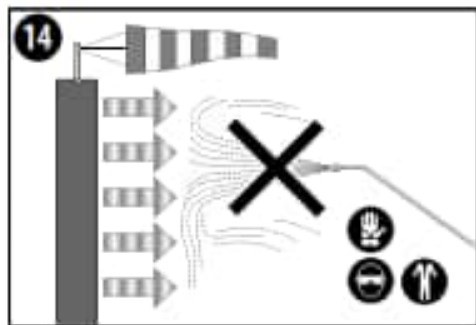
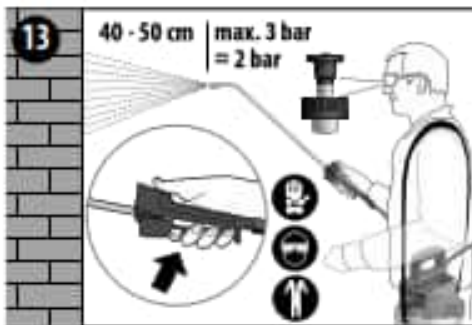
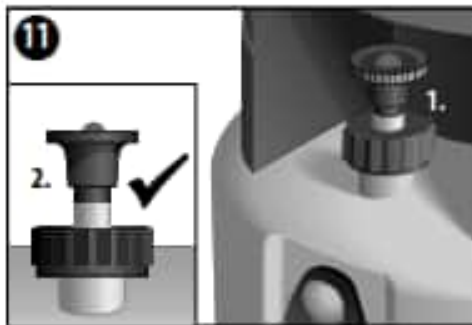
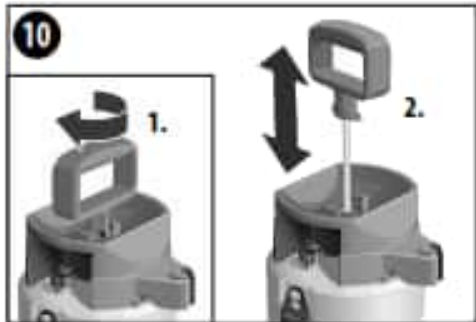
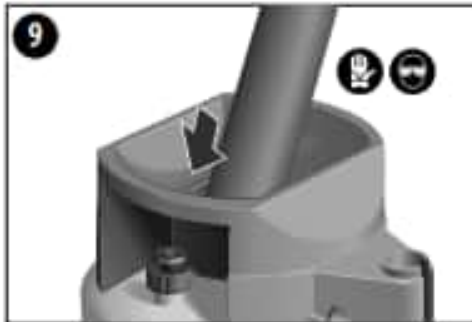


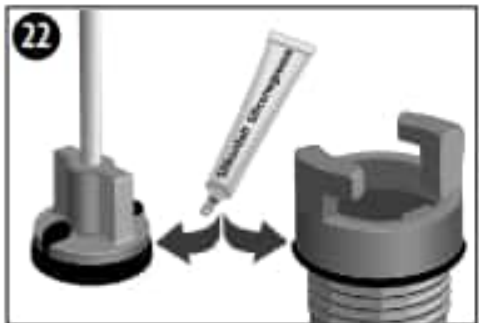
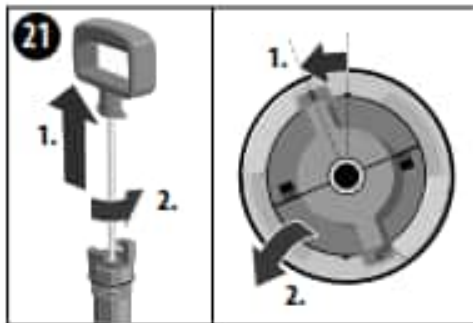
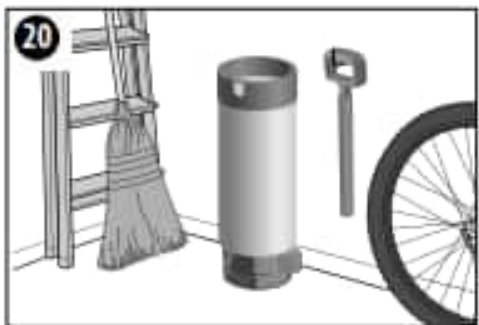
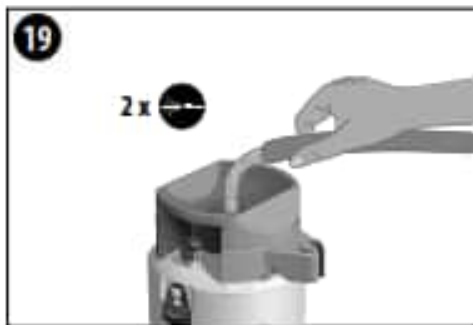
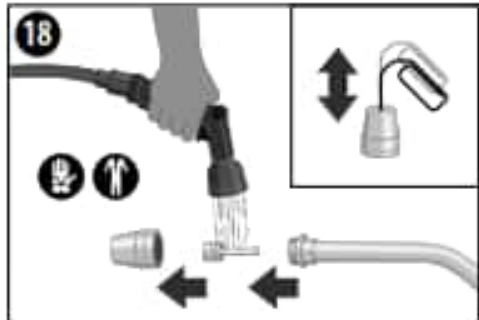
[www.gloriagarten.de](http://www.gloriagarten.de)



Accessories	No.
	Art.-Nr. 270.0000
	Art.-Nr. 728971.0000
 0,5 m	Art.-Nr. 124.0000
 0,7 m	Art.-Nr. 109.0000
 1,0 m	Art.-Nr. 110.0000
 0,5 - 1,0 m	Art.-Nr. 131.0000
 1,0 - 2,0 m	Art.-Nr. 132.0000
	Art.-Nr. 1100.0000
	Art.-Nr. 728781.0000







GB

## TABLE OF CONTENTS

1	General information about this user manual.....	14
2	For your safety.....	16
3	Before using the device.....	17
4	Technical data.....	18
5	Assembly.....	18
6	Commissioning.....	18
7	Shutting down.....	19
8	Problems with the device.....	20
9	Disposal and legal information.....	20
10	EU Declaration of Conformity.....	21

## 1 General information about this user manual

**This user manual is an integral part of the GLORIA device and must be continually available on or near the device.**

**This user manual contains important instructions and information required for ensuring the safe use of the device!**

**This user manual must be kept safe and passed on to any new owner!**

**All warning notices are there to protect your personal safety!**

### 1.1 Symbols on the device and in the user manual



The user manual must be read in full by every person who is authorized to operate/use/maintain the device.



Protect the device against long exposure to the sun and frost.



Do not eat, drink or smoke until you have removed your protective clothing, carefully cleaned your hands and face, and rinsed out your mouth.



Never point the spray jet at people or animals.



Wear suitable protective clothing according to the spraying agents in use.  
Never use solvent-based or oily substances.



Do NOT dispose of old devices as normal domestic waste.



Do NOT spray any explosive, highly flammable or combustible liquids.



Environmentally appropriate disposal!



Recyclable packaging materials!

## 1.2 Warning notices

**⚠ WARNING** This level of warning notice indicates a potentially hazardous situation. Follow the instructions accompanying this warning notice in order to avoid serious injury or death.

**⚠ CAUTION** This level of warning notice indicates a potentially hazardous situation which, if not avoided, may result in serious injury. Follow the instructions accompanying this warning notice in order to avoid serious injury.

**⚠ ATTENTION** This level of warning notice indicates a potentially hazardous situation which, if not avoided, may result in material damage. Follow the instructions accompanying this warning notice in order to avoid material damage.

**i NOTE!** A note indicates additional information or illustrations that help you operate and facilitate the understanding of the device.

**1.3 Intended use >>** This device is suitable for the application of spraying agents in the field of crafts and industry. Low-viscosity media, mineral oils, formwork oils and media in the PH range  $\geq 5$  and  $\leq 9$  may be sprayed.

Compliance with the accompanying instructions is a prerequisite for the proper use of the device. The user manual also contains the operating, maintenance and servicing conditions.

Always comply with the safety instructions/safety measures of the spraying agent manufacturers when applying spraying agents.

**⚠ CAUTION!** Danger caused by improper use! This device can be dangerous if not used for its intended purpose. You should therefore observe the following safety instructions:

- Use the device for its intended purpose only.
- Note all instructions and information in the user manual.

## 1.4 Reasonably foreseeable misuse >>

- The device is not suitable for:
  - Acids (pH  $\leq 5$ ), alkalis (pH  $\geq 9$ );
  - Fuels, Solvents or media containing solvents;
  - Wetting agents (surfactants) which may cause or promote cracks and fissures in the plastics used;
  - Disinfectants and waterproofing agents as well as substances above 40°C;
  - Explosive, highly flammable or combustible liquids with a flash point below +60°C;
  - Liquids that are highly viscous, sticky or form residues and cannot be fully emptied or rinsed out of the device;
  - Oxidising or toxic media;
  - Disinfectants and waterproofing agents as well as substances above 40°C;
  - Use in the food sector;
- On request, the device manufacturer will provide a detailed material parts list of the device for closer inspection.
- The manufacturer does not accept liability for any damage or injury resulting from unauthorised modifications to the device or its improper use.

GB

**1.5 Residual hazards >>** This device complies with the accepted rules of technology and the relevant safety requirements! However, use of the device may present:

- Danger to life and limb of the operator or other persons.
- Damage to the device.
- Damage to the other items of property.

**1.6 Limitation of liability >>** We expressly point out that according to product liability law we do not accept liability for damage caused by our device, insofar as this has been caused by non-compliance with the operating instructions, improper use, improper repair or replacement of parts with non-genuine parts, or if repairs have not been carried out by the customer service team or an authorised expert. This also applies to accessories.

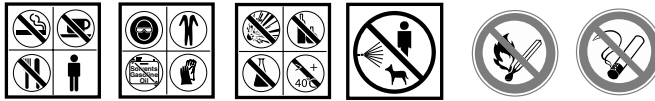
## 2 For your safety

**2.1 Basic safety instructions >> Observe the following basic safety instructions to ensure the safe handling and use of the device:**

- This device complies with the accepted rules of technology and the relevant safety requirements!
- Repairs to these devices must be performed exclusively by the service centres. Spare parts should be ordered from your dealer. If the parts are not in stock, the dealer will procure them as soon as possible.
- **This device may be used by children from 16 years and above and by persons with diminished physical, sensorial or mental capacities or lack of experience and knowledge if supervised or if they have been instructed with respect to safe use of the device and understand the risks that result from using it. Children must not play with the device. Cleaning and user maintenance must not be performed by children without supervision.**
- This device must not be used if the operator is tired, ill or under the influence of alcohol or other drugs or medicines.
- Use the device as intended!
- Keep spraying equipment and media away from children and young persons under 16.
- In order to prevent damage and hazards resulting from improper use, you must observe the user manual and store it in a safe place!
- If the device is passed on to other persons, they must also be given the user manual!
- Always place the device on an even, flat surface.
- Secure the device during transport to prevent the spray liquid escaping.
- Each time before the sprayer is put into operation, regularly check to ensure the fault-free condition and function of the pressurised/liquid-conducting operating elements and the safety valves. Pay particular attention to the tightness of the screw connection and screw joints. Check the material for the formation of cracks, brittleness and corrosion. If damage is suspected, take the unit out of operation immediately.
- Do not leave the device unattended while it is in operation.
- Protect the device against long exposure to the sun and frost.
- As a precautionary measure, we recommend that a particularly extensive inspection be performed – ideally by the manufacturer – after the sprayers have been in use for 2 years. It is forbidden to perform repairs on the container.
- Only use GLORIA original spares and accessories for the device.
- Never use worn, modified or defective replacement parts / accessories!
- The device has a maximum service life of 10 years.



## 2.2 Health hazards >>



**⚠ WARNING** Danger of death due to fire and/or explosion! Danger of death due to improper use of the device! Avoid having sources of ignition in the surrounding area. When spraying flammable liquids, do not spray on hot surfaces.

**⚠ CAUTION** You may be exposed to hazards that could injure you when handling the device and the spraying agents. Always comply with the safety information/safety measures of the spray product manufacturer and the following safety instructions:

- Do not blow out blocked nozzles using the mouth.
- Do not point the end of the spraying lance at yourself when unscrewing it.
- Changes or improvements to the device are not permitted without the agreement of the manufacturer! Never bypass, modify or remove the safety equipment.

**⚠ CAUTION** Danger to health through contact with the spraying agents! Spraying agents can cause damage to health if inhaled, swallowed or absorbed by the skin. Consult a doctor if you develop symptoms or are unsure. You should therefore observe the following safety instructions:

- Note safety instructions on the labels of the spraying agents used. Pay attention to the stated max. concentration. Certain liquids require the use of protective glasses, gloves or other safety measures.
- Always request a safety data sheet from the spraying agent manufacturer.

## 2.3 Danger due to damage to equipment >> **ATTENTION** Improper use can cause damage to the device!

For this reason, observe the following safety instructions:



- The device must not be pressurised for extended periods.
- Do not store the device in livestock buildings due to the ammonia vapours (danger of brass cracking), do not fill with solutions containing nitrogen or phosphates.
- Do not store spraying agents in the device.

## 3 Before using the device

**3.1 Delivery status >>** The device is shipped as standard as follows (see figure on page 2):

- A Pump handle
- B Spray tube holder 1
- C Spray tube holder 2
- D Container with transparent see-through windows (filling level monitoring)
- E Pump body
- F Base ring
- G All-plastic quick closure valve
- H Hose connection
- I Brass spray pipe with nozzle
- J Adjustable carrying straps
- K Piston pressure gauge with integrated safety valve
- L Filling funnel
- M 1 x user manual and product information (not shown)

Any accessory parts are packaged separately as part of the delivery.

GB

## 4 Technical data

### Pressure sprayer: pro 8

Spray pattern	Bore hole	Sprayangle	Flow rate in l/min at pressur/bar	Marking	Optim. pressure	Filter
hollowcone	1 mm	0-60°	0.33/0.43/0.49/0.54	brass	1.5 - 3 bar	Serie
			1.5 bar / 2.0 bar / 2.5 bar/ 3.0 bar			

Permissible positive operating pressure 3 bar / max. filling volume: 8 litres / overall filling volume: > 13.7 litres / permissible operating temperature: + 40°C / empty weight: 2,1 kg / gross weight: 10,1 kg / reaction force on the nozzle: < 5 N / spray pipe holder / piston pressure gauge with integrated safety valve / storage tank material / pump material: Polyethylene

## 5 Assembly >> Figure 1 - 3

## 6 Commissioning

**⚠ WARNING** Before putting into operation, observe Chapter 2 "For your safety".

**⚠ CAUTION** Danger to health due to escaping spraying agents! A leaking device or leaking components may result in draining or spouting of spraying agent. Always comply with the following safety information/safety measures:

- Inspect all screw joints for tight fitting.
- Prior to each use, check the device to ensure fault-free condition and leak-tightness. **To perform the leak test, fill the container with water and pressurise.**

### 6.1 Inspect piston pressure gauge with integrated safety valve "K"

>> Figures 4 - 7

**⚠ CAUTION**

- Observe the max. filling level (see Technical specifications).
- Press the piston pressure gauge with integrated safety valve "K" until the unit is depressurised.
- Empty the tank.

### 6.2 Operate at optimum tank pressure >> Figures 8 - 12

**⚠ WARNING** Prior to filling the sprayer, the instructions given by the spraying equipment manufacturers must be observed with regard to special hazards (R-phrases / GefStoffV [Hazardous Substances Ordinance]) and safety advice (S-phrases / GefStoffV [Hazardous Substances Ordinance]), as well as dosage specifications.

**i NOTE!** >> Figure 11 The piston pressure gauge with integrated safety valve "K" gives information on whether you are operating the unit at the optimum spraying pressure. The permissible operating pressure of 3 bar may not be exceeded.



Yellow mark:  
You work with optimal spraying pressure.



Red mark:  
You exceed the permissible operating pressure of max. 3 bar, the pressure gauge with integrated safety valve blows the overpressure.

GB

**i NOTE!** >> **Figure 12** If the max. operating pressure is exceeded, the piston gauge with integrated safety valve “K” trips. Stop pressurising! Lock the pump handle “A” by pushing the pump all the way down and slowly turning the pump handle “A” clockwise until it stops. Now, turn the slight resistance until the pump is locked.

### 6.3 Spraying >> Figures 13 – 14

**CAUTION** You may be exposed to hazards that could injure you when handling the device and the spraying agents. You must therefore always comply with the safety instructions/safety measures in this user manual, as well as the following instructions:

- The device must only be operated when suspended in a vertical or steep upright position.
- Pressing the actuation lever down on the quick closure valve initiates the spraying process. This can be interrupted immediately by releasing the actuation lever.
- Pump when the spray pressure decreases or the yellow marking on the piston gauge is no longer visible.
- Ensure uniform wetting of the objects when spraying.

## 7 Shutting down

### 7.1 Emptying and cleaning >> figures 15 – 19



**CAUTION** Danger to health due to escaping spraying agents! Pay attention to the safety instructions in this manual. Observe applicable laws and the specifications of the agent manufacturers when disposing of residual quantities.

- First vent the tank completely by pulling on the piston gauge with integrated safety valve “K”, and let the air escape completely. The piston pressure gauge with integrated safety valve “K” must be operated only when the unit is not running.
- The pump is carefully loosened, first by just a few thread turns to the left to ensure that any compressed air left in the tank can escape.
- Then unscrew the pump completely and remove it from the tank.
- When a telescope extension is used, shorten it above the tank in such a way that the remaining liquid can drip into the tank.
- DO NOT pour the remaining quantity into the spout, but pour it into a suitable canister through the filling opening. (Observe the manufacturer specifications!).

## 7.2 Storage >> figure 20 / 24



**CAUTION** You may be exposed to hazards that could injure you when handling the device and the spraying agents. You must therefore store the device and the spraying agents out of the reach of children.

GB

- Empty and clean the device as in Chapter 7.1.

## 7.3 Maintenance >> figures 21 - 23



- Observe the national regulations concerning occupational safety which apply to the place of operation as well as the applicable national regulations for operations. An expert inspection must be performed – ideally by the maintenance service of the manufacturer – to establish whether hazard-free operation remains possible. This should be performed in the event of defects that may impair safety in particular, and must be performed at least every 5 years in any case.
- Only use original GLORIA spare parts for repairs.  
(see **GLORIA spare parts shop** <https://shop.gloriagarten.de>).
- Repairs must only be carried out by a GLORIA service point.
- Further accessories can be found at [www.gloriagarten.de](http://www.gloriagarten.de)

## 8 Problems with the device

Fault	Cause	Remedy
Device is leaking at the screw connection	Hose loose	Tighten coupling nut and carry out pressure test with water
Spray pattern of nozzle not OK	Nozzle partially blocked Filter in quick closure valve contaminated	Clean filter or nozzle
Pump does not build up any pressure	Collar on piston is worn	Replace collar

## 9 Disposal & Legislation



**9.1 Environmental protection & disposal of the device >>** The device must be separated according to the different materials and disposed of at a recycling collection point. The materials can be recycled according to their designations.

- Please check with your local government to find the appropriate disposal point.
- Empty the device before disposal and render it unusable.

**9.2 Disposal of packaging >>** The packaging materials have been selected according to environmentally- suitable and disposal-related aspects and are therefore recyclable.

## 10 EU Declaration of Conformity

### **EU Declaration of Conformity for a module as defined by Article 4, section 2 of the Directive on pressure equipment 2014/68/EU**

GLORIA Haus- und Gartengeräte GmbH

Därmanbusch 7  
D-58456 Witten

confirms that the pressure sprayer pro 8 (consisting of tank, piston pressure gauge with integrated safety valve, pressure regulator, pump and hose line); Item no. 1206... comply with the Directive on pressure equipment 2014/68/EU and the acknowledged rules of engineering.

Witten, 01/06/2017



Ludger Strunk  
(Head of Development and Design)

GB

## 10 EU-conformiteitsverklaring

### EU-conformiteitsverklaring voor een bouwgroep in de zin van artikel 4, paragraaf 2 van de Richtlijn over drukapparaten 2014/68/EU

GLORIA Haus- und Gartengeräte GmbH  
Därmanbusch 7  
D-58456 Witten

verklaart dat druksproeier pro 8 (bestaande uit reservoir, zuigermanometer met geïntegreerde veiligheidsklep, drukregelaar, pomp en slangleiding); art.-nr. : 1206... voldoet aan de voorschriften van Richtlijn over drukapparaten 2014/68/EU en de algemeen erkende technische voorschriften (categorie 1 - module A).

Witten, 01.06.2017



Ludger Strunk

(Directeur Ontwikkeling en Constructie)

NL

# GLORIA®

Geräte für Haus und Garten

GLORIA Haus-und Gartengeräte GmbH  
Därmanbusch 7  
58456 Witten • GERMANY  
Tel.: ++49 (0) 2302-700 0  
Fax: ++49 (0) 2302-700 46

### SERVICE-HOTLINE

☎ +49 (0) 180 / 55 899 09\*

(\* 14 Cent/min. für Anrufe aus dem deutschen Festnetz)

e-mail: [service@gloria-garten.com](mailto:service@gloria-garten.com)

Internet: [www.gloriagarten.de](http://www.gloriagarten.de)

980 043- 00 200617