



**INSTRUCTIONS  
FOR HANDLING,  
STORAGE AND  
APPLICATION  
OF THE  
MEMBRANES**

# **ARCON** INSTRUCTIONS FOR HANDLING, STORAGE AND APPLICATION OF THE MEMBRANES

## **1. INSTRUCTIONS FOR HANDLING AND STORAGE**

In order to prevent the possibility of deterioration of the products during transportation, handling and storage, the following measures are recommended :



- Handling of membranes is made with the forklift;
- Avoid violent impact of the pallet with the ground, especially under low temperature conditions;
- Pallets should be placed on plane surfaces, avoiding their overlapping;
- The membranes should be correctly stored in covered and dry locations. During winter, the membranes should be stored at min. +5°C, at least 24 hours before being used (put into work);
- During transportation, handling and storage the rolls of membranes should always be kept in the upright position;
- The maximum recommended storage period is 6 months;

## **2. WORK EQUIPMENT**

The auxiliary work equipment contains:



- Gas burner with hose (pipe) and pressure regulator;
- Cylinder of propane or butane gas;
- Cutting tools;
- Tools for pressing the overlap during thermowelding;
- Protective gloves and proper footwear, which not damage the membrane.

Minimum labour protection norms.

- The equipment will always include fire extinguisher of medium capacity;
- The surfaces treated with bituminous primer will be left to dry at least 4 hours before applying the membrane;

## **3. RECOMMENDATIONS REGARDING PREPARATION OF THE SUPPORT**



Unfavorable weather conditions such as rain, snow or humidity of the insulated surface may compromise the quality of work.

# **ARCON** INSTRUCTIONS FOR HANDLING, STORAGE AND APPLICATION OF THE MEMBRANES



The support should be smooth, clean and dry. The surface can be leveled by cutting the swellings and filling the gaps with bituminous mastic. For better adhesion, it is recommended the treatment of the support with bituminous primer.

The minimum slope of the support must be minimum 1,5%, in order to allow the evacuation of water towards water outlets.

On slopes bigger than 20%, it is recommended for the membranes to be fixed mechanically.

## **4. APPLICATIONS OF THE MEMBRANES**

### **I. Thermowelding with flame by two methods:**

- a. Total adhesion;
- b. In a few points over special products; (ex. perforated membranes);

### **II. Mechanically fixings**

- is realized with special screws with washers;
- this fixing method is used only for the application of lower layer, in the case of multi-layer works on roofs thermoinsulated with mineral wool;



## **5. REPAIRING THE OLD ROOFS**

After cleaning and careful smooching the surface apply bituminous primer, over which is thermoweld in total adhesion one or two bituminous membrane layers.



## **6. CHOOSING THE RIGHT MEMBRANES**

The bituminous membranes reinforced with glass fibre (V, VA) will be used only in bi-layer systems, together with a membrane reinforced with polyester fabric (P, PA).

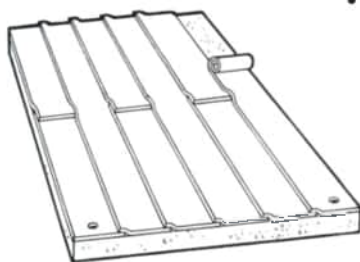
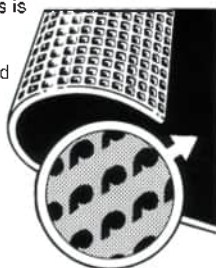
For thermosensitive surfaces (polystyrene) it is recommended to use ARCO THERMO AD membranes

## 7. BASIC RULES FOR A PERFECT WATERPROOFING

The quality of the work also depends on technology application. In this regard the below mentioned recommendations will be respected:

- Operating temperature 5°C - 30°C;
- The thermowelding side of the membranes is protected by a thin polyethylene film – the lightly embossed surface;
- When contact with the flame the embossed surface is melt and disappears, which means that the material was heated enough to realize a good adhesion.

Continuous melting of the bituminous mass by overheating, cause damages to reinforcement !



- Application of membranes should always begin from water outlets zone, direction slope climbing; Membranes are applied "woven", so as the overlapping end-laps to be at the middle of the next membranes row, as the enclosed drawing;

- Overlapping the sticking end-laps is 15 cm, and longitudinal overlapping is 10 cm;
- When applying 2 layers insulation, the second layer will be placed in such a way that the welds of overlapping edges from the lower layer to be covered by the middle of the membrane from the upper layer;



- ARCON membranes are supplied with lateral overlapping edges and certain membranes have also the end-lap provided by manufacturer. If the insulation is made with cutted strips of membrane, on the surface of overlap and doubling the membrane will be clean from the mineral slates.

In order to remove the mineral slates (with the „spatula“) from the whole overlapping surface, the membrane should be easily warmed.

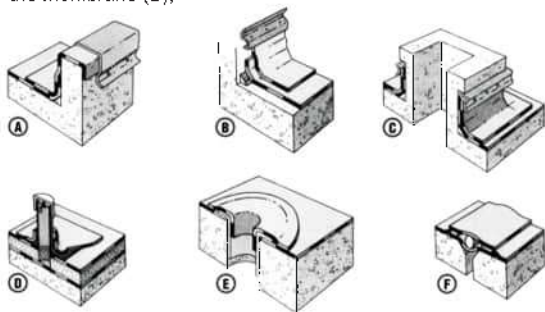
## **ARCON** INSTRUCTIONS FOR HANDLING, STORAGE AND APPLICATION OF THE MEMBRANES

The durability and efficiency of a waterproofing work depends on 3 factors: choosing the type of material adequate to the type of work, respecting the technology of application and maintenance of work.

Special attention should be paid to adequate waterproofing of the roof details :

attic(A), shelves (B), chimney, skylights (C), airvents(D) , water outlets (E) , dilatation apertures (F), etc.

Corners and edges of the support will round off at the base by filling with mortar or using wood profiles, over which it will apply the membrane (B);



Easy protections:

Do not use the membranes with sand upper side cover in single layer or final layer. If for various reasons the final layer is such a membrane (with sand), it is necessary to paint it with reflective paint in order to protect from UV rays.



### **8.MAINTENANCE**

For a good maintenance the following works are suggested:

- Periodic cleaning of the water outlets and rain water collecting areas;
- Inspection of membrane's protection layer, eventually periodic repainting of the membrane without mineral slate protection;
- Inspection of overlapping and roof details, fixing and repairing any application defect.

For specific applications please consult the technical data sheets of each product, following the recommendations and technical specifications of „Normative on the design, execution and operation of buildings waterproofing” (published in M.O. Part 1 No.776 bis-05.09.03) and Technical approvals issued by INCERC.

More information on [www.arcon.com.ro](http://www.arcon.com.ro).

Producer's guarantee for ARCON membranes is valid only if application norms of bituminous membranes were respected and if the waterproofing work was carried out by specialized personnel in waterproofing.

## APPLICATION AREA OF THE MEMBRANES



Tile roofs



Walking terraces



Gabled roofs



Roof gardens



Renewal of  
old roofs



Curved roofs



Foundation



Shed



Metal  
roofs



Tunnels &  
subways



Flat  
roofs



Hydro -  
applications



Car Park



Exhalation  
chamber



Bridges



Others

### SC ARCON SRL

Sf. Gheorghe 520009, Korosi Cs. Sandor 32 street

Tel.: +40 267 314 229, Fax: +40 267 351 896

E-mail: [office@arcon.com.ro](mailto:office@arcon.com.ro)

[www.arcon.com.ro](http://www.arcon.com.ro)